

MicroPre-M and MicroPre-2M Condenser Mic and Combination Mic and Pickup Preamps - Instructions

The **MicroPre-M** is a single channel Jfet condenser mic preamp providing up to 4 db of gain and a single mono output. It is designed to run on voltages from 3 to 9 volts d.c.

The **MicroPre-2M** is a two channel Jfet preamp supporting a condenser mic on one channel and a pickup on the second channel. It provides up to 4 db of gain per channel and separate (stereo) outputs which are normally ganged for mono output. It is designed to run on voltages from 3 to 9 volts d.c.

Basic Wiring Configurations: For the single channel MicroPre-M, figures 1 and 2 show wiring using normal audio taper (log) potentiometers. Figures 3 and 4 show wiring using Schatten Design circuit board mounted thumbwheel potentiometers. Note that the ring contact on the jack is being used as the battery switch. Pot and thumbwheel values are normally 500k.

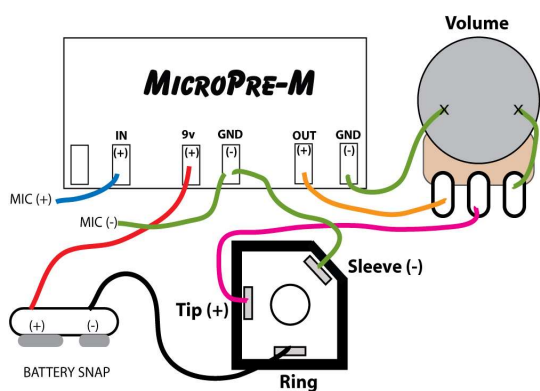


fig 1

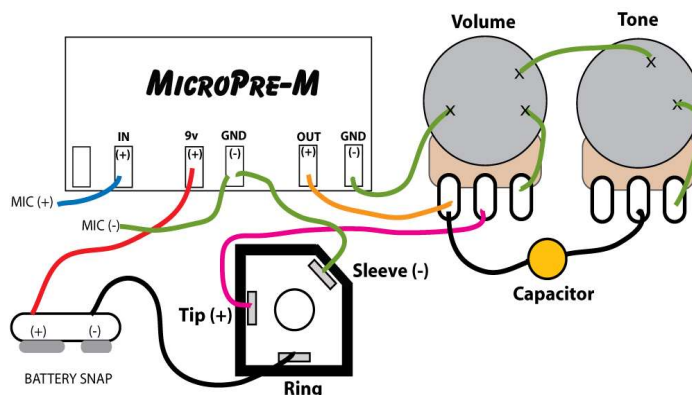


fig 2

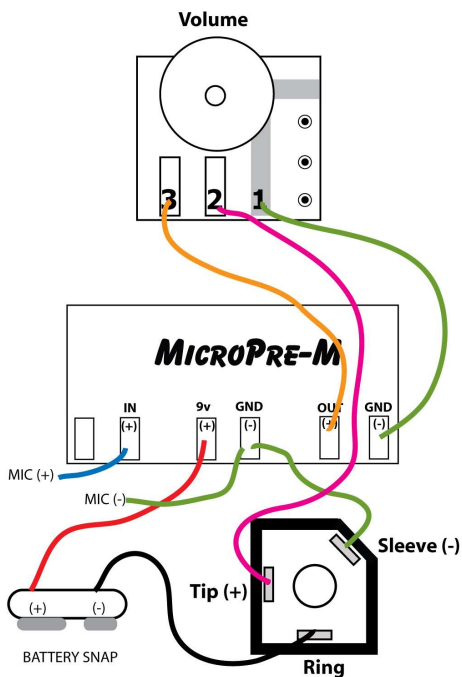


fig 3

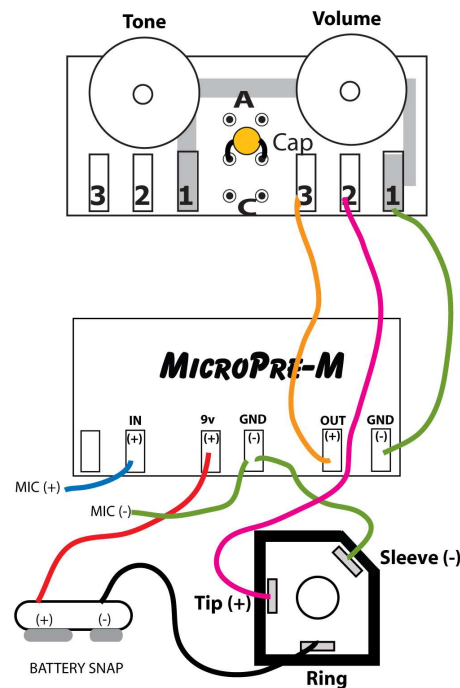


fig 4

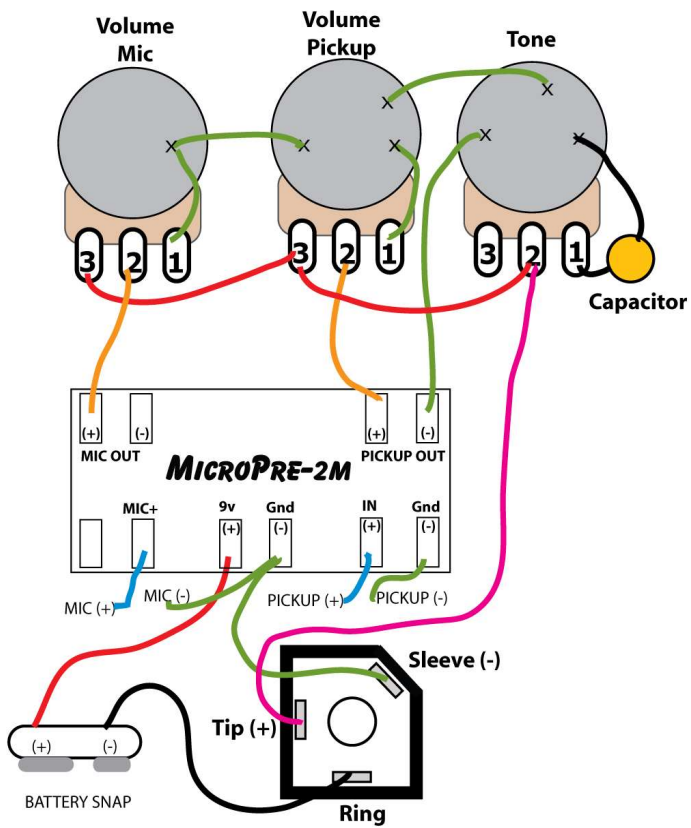


fig 5

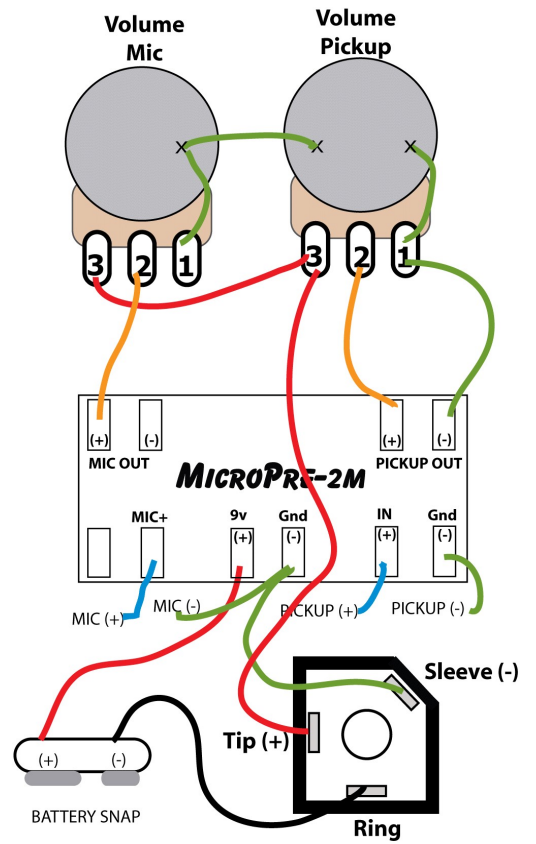


fig 6

For the two channel MicroPre-2M, figures 5 and 7 show the wiring using a volume pot for each channel and an over all tone control. Figures 6 and 8 show one volume control used for each channel

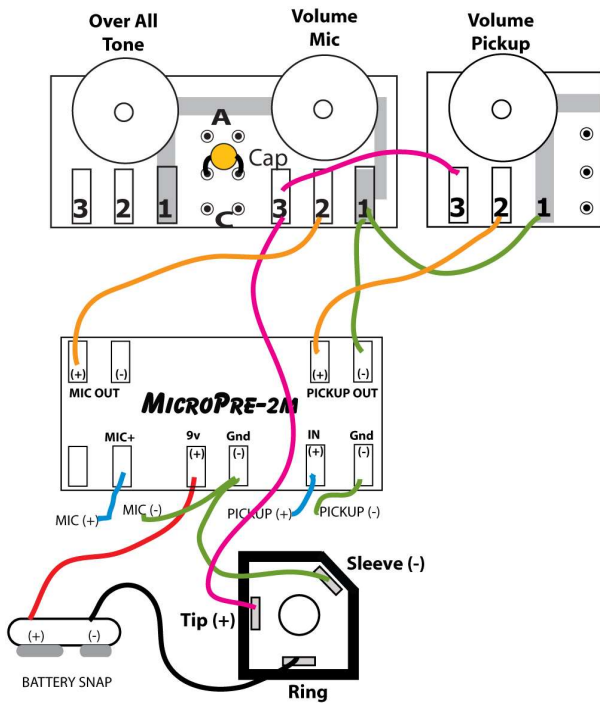


fig 7

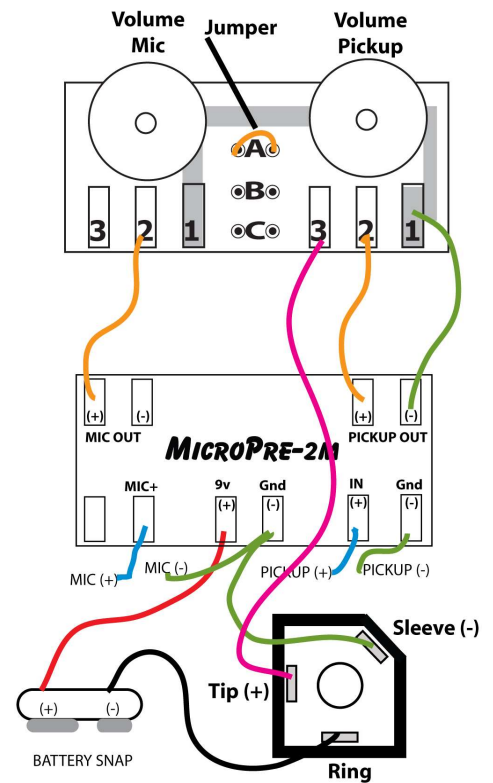


fig 8